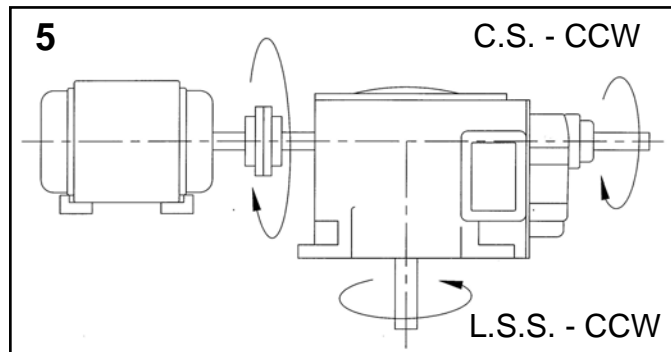


## **A.P. Clutch Rotation Selection Table**

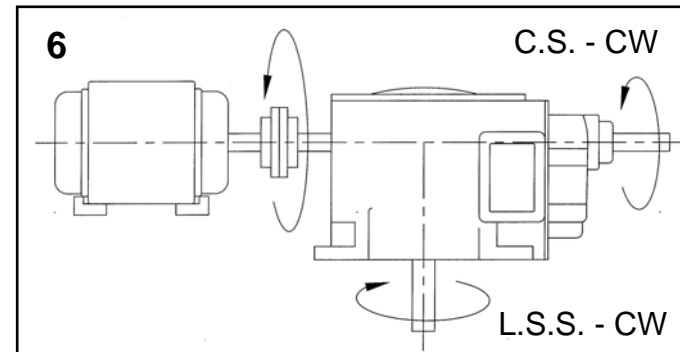
*Showing Relationship between clutch rotation & low speed shaft rotation when clutch is driving.*

Low speed shaft rotation viewed from top of unit.  
Clutch rotation viewed from clutch drive shaft extension.  
C.S. = Clutch shaft extension

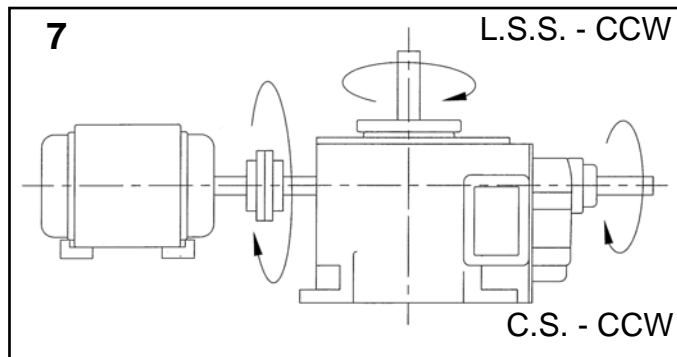
### **4 Air Preheater Reducer Quad Reduction**



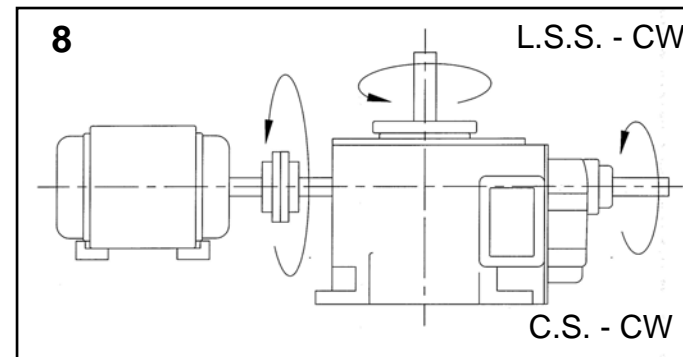
**Down Shaft**



**Down Shaft**



**Up Shaft**



**Up Shaft**