

Journal Bearing Puller

For easy removal of journal bearings, our Journal Bearing Puller eliminates the need to disassemble the wheel set and helps to reduce the workload on your axle press.

Advantages of using a journal bearing puller include:

- > Higher Productivity
- > Increased Reliability
- > Elimination of Vibrations, Distortions or Misalignments

By using a journal bearing puller instead of a press, you'll save time while maintaining the bearing's structural integrity by removing it with a tool that minimizes friction between the bearing and the sleeve. You can then modify the bearing to achieve optimal performance.

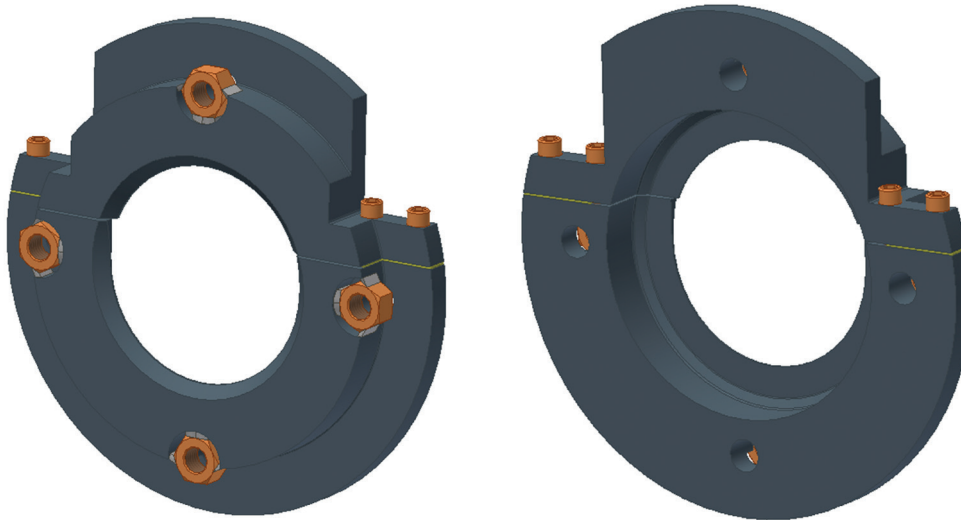


Advantages of Our Journal Bearing Pullers

Although journal bearing pullers are necessary tools for transit wheel repair shops, Penn Machine's journal bearing pullers are ideally suited to transit wheel sets because of their superior:

- > Quality
- > Durability
- > Flexibility

Whether you need to service a Penn Machine wheel, or one made by another OEM, our journal bearing pullers make the job go faster so you can do more.



Terms & Conditions: Equipment available only to end users.

A Leader in Wheels & Maintenance Equipment for Transit, Rail & Mining/Industrial Applications

In 1920, Penn Machine Company (PMC) began as a coal company and pioneered the manufacture of quality replacement parts for coal mining equipment. Over the years, the company has grown to become a major supplier of heavy-duty OEM and aftermarket components for transit, railroad, mining, steel, construction, and general industrial applications. Our business is domestic and international in scope. Our capabilities and experience combine to provide a wide range of quality manufactured products and services. Penn Machine is comprised of three market-focused stand-alone business units: Transit, Locomotive, and Industrial/Mining, with operations in Johnstown and Blairsville, PA. Penn Machine Company is part of Marmon Holdings, Inc., a global organization of manufacturers owned by Berkshire Hathaway Inc.



American
Gear Manufacturers
Association



PENN MACHINE COMPANY

310 Innovation Drive • Blairsville, PA 15717 • 724.459.0302



A Marmon/Berkshire Hathaway Company