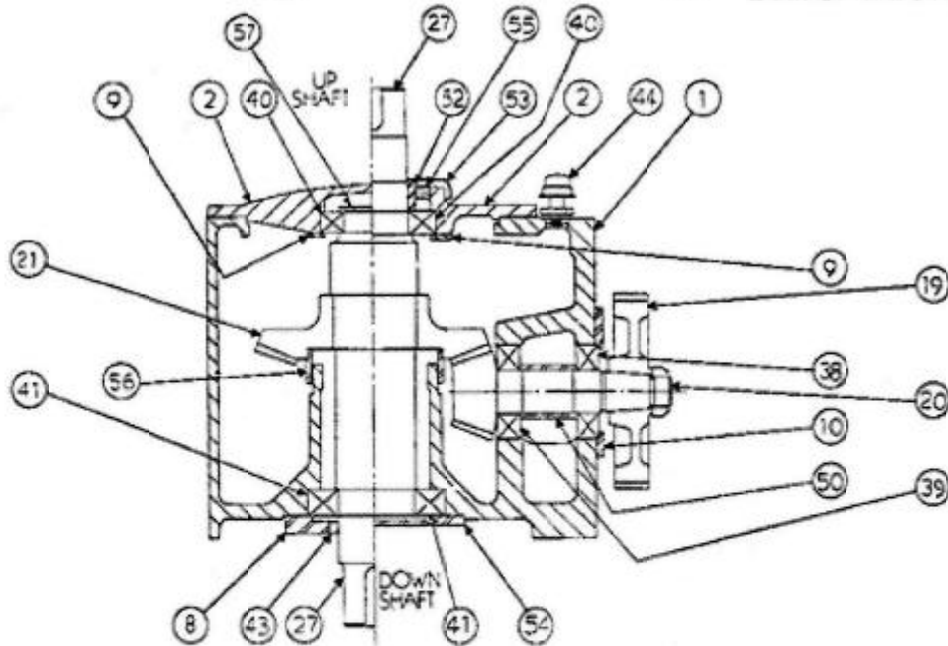
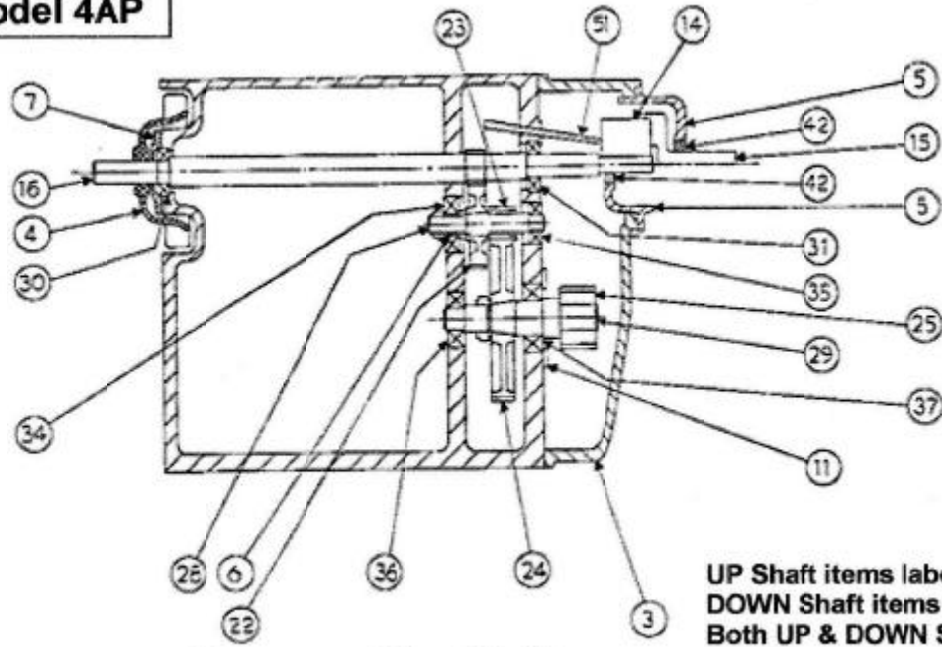


Model 4AP



UP Shaft items labeled "A"
 DOWN Shaft items labeled "B"
 Both UP & DOWN Shaft No label

Ref. No.	Part Number	Description
1	503499	Housing
2A	315405	Bearing Cage
2B	312623	Bearing Cage
3	312647	Change Gear Cover
4	312669	Fan
5	219652	Cover
7	219678	H.S. Retainer
8B	219960	L.S. Retainer
9A	156232	Keeper Plate
9B	140390	Keeper Plate
10	227617	Thrust Plate
11	1170995	Thrust Plate
14	951300	Over Running Clutch
15	219911	Aux H.S. Shaft Ext.
16	227976	Helical Pinion Shaft
19	223735	Helical Gear
20, 21	747658	Bevel Gear & Pinion Set
22	265182	Helical Gear
23	Ratio Gears	Helical Pinion
24	Ratio Gears	Helical Gear
25	212156	Helical Pinion
27A	315439	L.S. Shaft (UP)
27B	313712	L.S. Shaft (DOWN)
28	143032	1 st Int. Shaft
29	228132	2 nd Int. Shaft
30	920205	Bearing
31	920553	Bearing
34	919629	Bearing
35	919608	Bearing
36	920537	Bearing
37	919651	Bearing
38	919291	Bearing
39	920565	Bearing
40A	919279	Bearing
40B	919036	Bearing
41	912811	Bearing
42	912574	Oil Seal
43B	912811	Oil Seal
44	950027	Air Vent
50	161973	Bearing Spacer
51	223009	Oil Trough
52A	156291	Collar
53A	156293	Umbrella
54A	156567	End Cover
55A	912556	Oil Seal
56	218124	Collar
57B	140231	Keeper Plate
58	765757	Shim Pack

Penn Machine Company / Rail Trans Division

310 Innovation Drive
 Blairsville, PA 15717

Ph 724-459-0302 Fax 724-459-0305
 Emergency & After Hours 724-309-4185

Parts Guide For Air Preheater Model 4AP

Saved as ABB-4AP layout.doc
 DM 5-07-02

511338